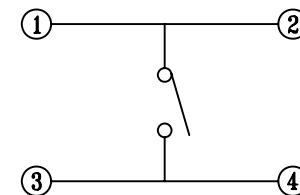
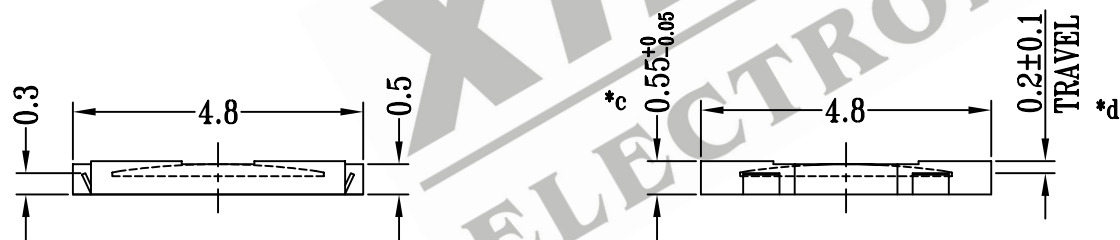
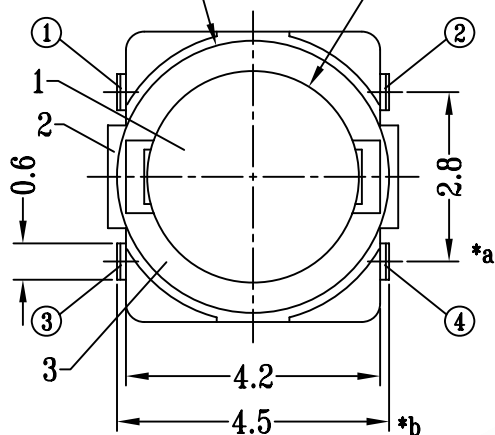
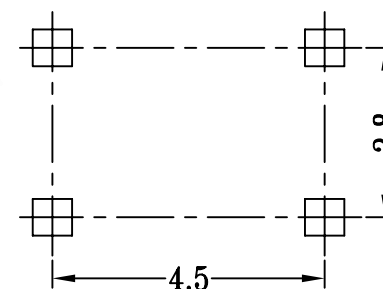


CAD FILE:

Ø4.5 SEAL PLATE Ø3.5 CONTACT



SCHEMATIC



P.C.B LAYOUT

注:带"*"表示关键尺寸(4个)

8					TOLERANCE	SHENZHEN XIEJIA ELECTRONICS CO.,LTD.					
7					UNLESS SPECIFIED						
6					WITHIN: 1.5±0.1mm						
5					OVER : 1.5±0.2mm	ISSUE	DATE	DESCRIPTIONS	APPD.		
4					TITLE : TACT SWITCH	UNIT : MM		DRWG NO.: XJ-DR-TD38MU-00			
3	SEAL PLATED	PET	1	YELLOW	MODEL: TD-38MU	SCALE: 8 : 1		DWN.	ZHOUYU	2002-12-21	
2	CASE	NYLON46/PBS	1	WHITE/Ag PLATED OVER Ni PLATED				CHK'D	FANGYING	2002-12-21	
1	CONTACT	SUS	1	Ag CLAD	ALL MATERIALS MUST BE COMPLIANT TO ROHS				APPD.	KANGXINAN	2002-12-21
NO.	PART NAME	MATERIAL	Q'TY	FINISHING							